

Bulb



Type		Steady / Flashing Warning Light		Revolving Warning Light			
Size		Small Size		Small Size	Standard Size		Large Size
Model		AUW-B/BF80	AUW-B/BF100	AUW-R100	AUW-R125	AUW-R125L	AUW-R150S
Voltage		AC110V / AC220V / DC12V / DC24V		AC110V / AC220V / DC12V / DC24V			
Material		Globe - GPPS / Body - ABS		Globe - GPPS / Body - ABS		Globe - GPPS / Body - SUS 304	
dimensions (mm)	Diameter	Ø83	Ø104	Ø104	Ø125	Ø125	Ø155
	Height	143	157	132	161	208	210
Volume		No buzzer		Max. 80dB	Max. 80dB	Max. 90dB	No buzzer
Customization				Magnet / 3 Notes	Magnet / 3 Notes	Double reflector (high luminance)	
Page		p.57	p.57	p.59	p.59	p.60	p.61

LED



Type		Steady / Flashing Warning Light	Multiple Function LED Warning Light			
Size		Small Size	Small Size		Standard Size	
Model		AUW-L/LF60	AUW-L80	AUW-L100	AUW-L125	AUW-L125L
Voltage		AC110V / AC220V / DC12V / DC24V				
Material		Globe - GPPS / Body - ABS		Globe - PC / Body - ABS		Globe - GPPS Body - SUS 304
dimensions (mm)	Diameter	Ø66	Ø83	Ø103	Ø125	Ø125
	Height	119	143	132	161	208
Volume		No buzzer	Max. 80dB	Max. 80dB	Max. 80dB	Max. 90dB
Customization				Magnet type / 3 Notes	High luminance Magnet type 3 Notes	High luminance
Page		p.63	p.63	p.63	p.64	p.64

Caution LED



Type		Caution LED Warning Light		
Size		Small Size	Standard Size	
Model		AUW-CL100	AUW-CL125	AUW-CL125L
Voltage		AC110V - AC220V / DC12V / DC24V		
Material		Globe - GPPS (Flat type-PC) Body - ABS	Globe - PC / Body - ABS	
dimensions (mm)	Diameter	Ø103	Ø125	Ø125
	Height	157	161	208
Volume		Max. 80dB	Max. 80dB	Max. 80dB
Page		p.66	p.66	p.66

CAUTION LED Product Features

- ⊙ AB (minus 3 notes), AM (melody 3 notes), AS (Siren 3 notes)
- ⊙ Lighting / Flashing / Strobe selectable (Pinheader jumper)
- ⊙ AUW - CL 100 model with magnet Optional and vehicle cigar jack options available (DC12V only)
- ⊙ Appearance size is the same as AUW - L series



Nomenclature



AUW-B/BF80



AUW-B/BF100

AUW - **①** - **②** - **③** - **④**
 Type Operation Voltage Color

Bulb Steady/ Flashing	B : Steady	80 : Ø80	110 : AC110V	R : Red
			220 : AC220V	Y : Yellow
	BF : Flashing	100 : Ø100	12 : DC12V	G : Green
			24 : DC24V	B : Blue

Bulb Small Steady / Flashing Warning Light

Common Specifications

- ⊙ A steady / flashing indicating lamp with a relatively simple inner structure that is easy to maintain
- ⊙ Can be used to indicate device malfunction, material supply & stop signals, and signal transmission in automated line
- ⊙ No buzzer functions
- ⊙ Material: Globe [GPPS], Body [ABS]
- ⊙ Operating Temperature: -25 ~ 50°C



AUW-80B / AUW-80BF

⊙ Ø80mm, small bulb Steady / Flashing Warning Light

Model	Voltage	Current	Bulb	Weight	Color
AUW-80B Steady type	AC110V	0.07(A)	110V 10W	200g	<ul style="list-style-type: none"> ● Red(R) ● Yellow(Y) ● Green(G) ● Blue(B)
	AC220V	0.05(A)	220V 10W	200g	
	DC12V	0.83(A)	12V 10W	200g	
	DC24V	0.47(A)	24V 10W	200g	
AUW-80BF Flashing type	AC110V	0.07(A)	110V 10W	209g	<ul style="list-style-type: none"> ● Red(R) ● Yellow(Y) ● Green(G) ● Blue(B)
	AC220V	0.06(A)	220V 10W	209g	
	DC12V	0.77(A)	12V 10W	209g	
	DC24V	0.48(A)	24V 10W	209g	

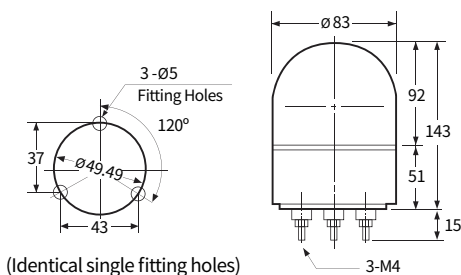


AUW-100B / AUW-100BF

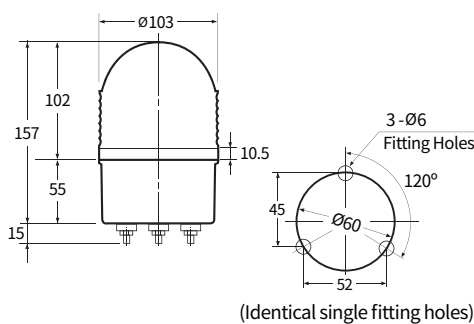
⊙ Ø100mm, small bulb Steady / Flashing Warning Light

Model	Voltage	Current	Bulb	Weight	Color
AUW-100B Steady type	AC110V	0.06(A)	110V 10W	327g	<ul style="list-style-type: none"> ● Red(R) ● Yellow(Y) ● Green(G) ● Blue(B)
	AC220V	0.03(A)	220V 10W	327g	
	DC12V	0.28(A)	12V 10W	327g	
	DC24V	0.26(A)	24V 10W	327g	
AUW-100BF Flashing type	AC110V	0.07(A)	110V 10W	336g	<ul style="list-style-type: none"> ● Red(R) ● Yellow(Y) ● Green(G) ● Blue(B)
	AC220V	0.06(A)	220V 10W	336g	
	DC12V	0.77(A)	12V 10W	336g	
	DC24V	0.48(A)	24V 10W	336g	

Technical Diagram Unit: mm



AUW-80B / BF



AUW-100B / BF



Nomenclature

AUW - R	①	②	③	④	⑤
	Operation	High Luminance	Audible Option	Voltage	Color
Bulb Revolving Warning Light	100 : Ø100	No indication : Standard	No mark : None	110 : AC110V	R : Red
	125 : Ø125		AB : Buzzer	220 : AC220V	Y : Yellow
	125L : Ø125 long body	H : High luminance	AM : Melody	12 : DC12V	G : Green
	150S : Ø150 SUS body		AS : Siren	24 : DC24V	B : Blue
	180S : Ø180 SUS body				O : Orange

※ Orange Application Model (AUW-R125)

Common Specifications

Bulb Revolving Warning Light

- ⊙ Excellent radiant effect using special vacuum metallizing reflector
- ⊙ Freely adjustable rotation speed with built-in volume switch
- ⊙ Buzzer siren and melody sounds (Volume Max. 90dB) can be embedded simultaneously with revolving lamp
- ⊙ The built-in tone is 3 notes
- ⊙ Can be adjusted between AC110V ↔ 220V using changeover switch in the product
- ⊙ Microchip-based structure is simple and not affected by external noise
- ⊙ Operating Temperature : -25 ~ 50°C
- ⊙ Material : Globe [GPPS], Body [ABS] / SUS 304] (For AUW-R150S, 180S models)

Embedded buzzer specifications

Output	Tone	
Max. 90dB	Buzzer AB	Beep~~~Beep Beep ~ Beep ~ Beep Wing Wing Wing
	Melody AM	Fur Elise Home Sweet Home London Bridge is Falling Down
	Siren AS	Urgent Emergency Fire

Features by Models

Model	Diameter	Body Type	Reflector	High luminance	Features
AUW - R100	Ø100	ABS	Single	None	Magnet , Cigarette lighter plug (for DC12V only) option
AUW - R125	Ø125	ABS	Single	None	Magnet , Cigarette lighter plug (for DC12V only) option Voice signal adding function is available
AUW - R125L	Ø125	ABS Long body	Single	None	Basic 3 sounds of sound embedded type, Voice signal adding function is available
AUW - R150S	Ø150	SUS	Single / Double	Yes	-
AUW - R180S	Ø180	SUS	Double	None	-



AUW-R100



AUW-R100

Bulb Revolving Warning Light

- ⊙ Ø100mm, small Bulb Revolving Warning Light
- ⊙ Magnet option & Cigarette lighter plug option (for DC12V only) are available
- ⊙ Material: Globe [GPPS], Body [ABS]

Model	Voltage	Current	Bulb	Weight	Color
AUW-R100	AC110V	0.09(A)	12V 10W	514g	● Red(R)
	AC220V	0.05(A)	12V 10W	514g	● Yellow(Y)
	DC12V	0.88 (A)	12V 10W	294g	● Green(G)
	DC24V	0.64(A)	24V 10W	294g	● Blue(B)

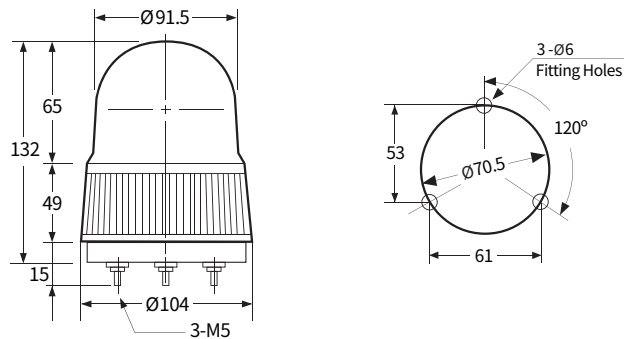
Technical Diagram

Unit: mm



Magnet type & Cigarette lighter plug Option (for DC12V only)

AUW-R125MC



AUW-R125

Bulb Revolving Warning Light

- ⊙ Ø125mm, standard Bulb Revolving Warning Light
- ⊙ Magnet option & Cigarette lighter plug (for DC12V only) are available
- ⊙ Material: Globe [GPPS], Body [ABS]

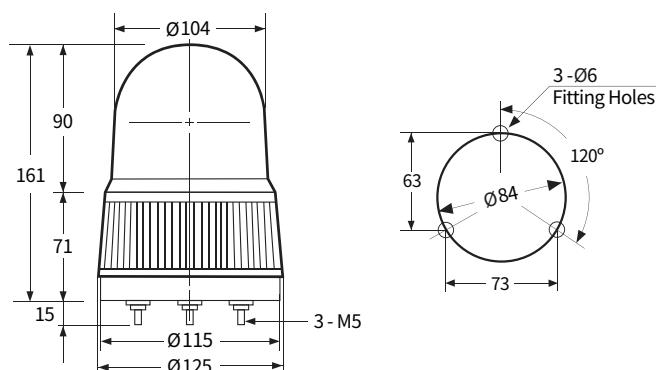


AUW-R125

Model	Voltage	Current	Bulb	Weight	Color
AUW-R125	AC110V	0.11(A)	12V 15W	980g	● Red(R)
	AC220V	0.06(A)	12V 15W	980g	● Yellow(Y)
	DC12V	1.19(A)	12V 15W	405g	● Blue(B)
	DC24V	0.74(A)	24V 15W	405g	● Orange(O)

Technical Diagram

Unit: mm





AUW-R Series

Bulb Revolving Warning Light



Buzzer embedded Type
Bracket mounted



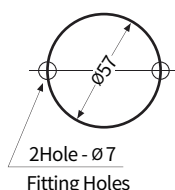
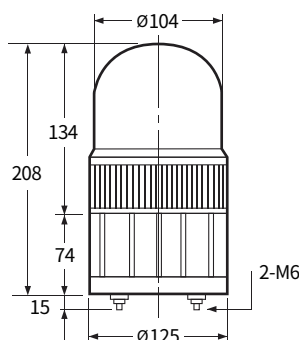
AUW-R125L

Bulb Revolving Warning Light

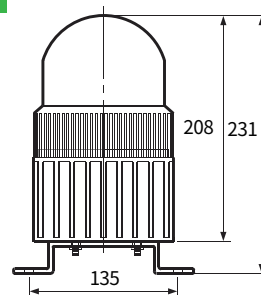
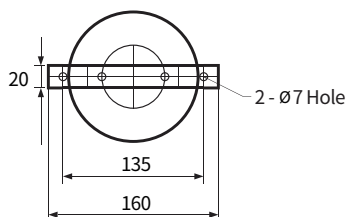
- Ø125mm, standard Bulb Revolving Warning Light long body type
- For the embedded buzzer, 3 sounds are provided by default and a bracket is attached at the bottom
- Voice sound (add voice signal function) can be ordered
- Material : Globe [GPPS], Body [ABS]

Model	Voltage	Current	Bulb	Weight	Color
AUW-R125L	AC110V	0.11(A)	12V 15W	1124g	<ul style="list-style-type: none"> ● Red(R) ● Yellow(Y) ● Green(G) ● Blue(B)
	AC220V	0.06(A)	12V 15W	1124g	
	DC12V	1.19(A)	12V 15W	547g	
	DC24V	0.74(A)	24V 15W	547g	

Technical Diagram



Bracket mounted



AUW-R150S



AUW-R150S

Bulb Revolving Warning Light



- Ø150mm, standard Bulb Revolving Warning Light
- Using stainless (SUS304) body, it is strong on impact and excellent corrosion resistance
- No buzzer functions
- Two types of reflectors are available: Single and double (high luminance)
- Material : Globe [GPPS], Body [SUS 304]

Single reflector (Standard)

Model	Voltage	Current	Bulb	Weight	Color
AUW-R150S	AC110V	0.11(A)	12V 15W	1444g	<ul style="list-style-type: none"> ● Red(R) ● Yellow(Y) ● Green(G) ● Blue(B)
	AC220V	0.06(A)	12V 15W	1444g	
	DC12V	1.19(A)	12V 15W	882g	
	DC24V	0.74(A)	24V 15W	882g	

Double reflector (high luminance)

Model	Voltage	Current	Bulb	Weight	Color
AUW-R150SH	AC110V	0.31(A)	12V 35W	1470g	<ul style="list-style-type: none"> ● Red(R) ● Yellow(Y) ● Green(G) ● Blue(B)
	AC220V	0.17(A)	12V 35W	1470g	
	DC12V	2.87(A)	12V 35W	908g	
	DC24V	1.62(A)	24V 35W	908g	

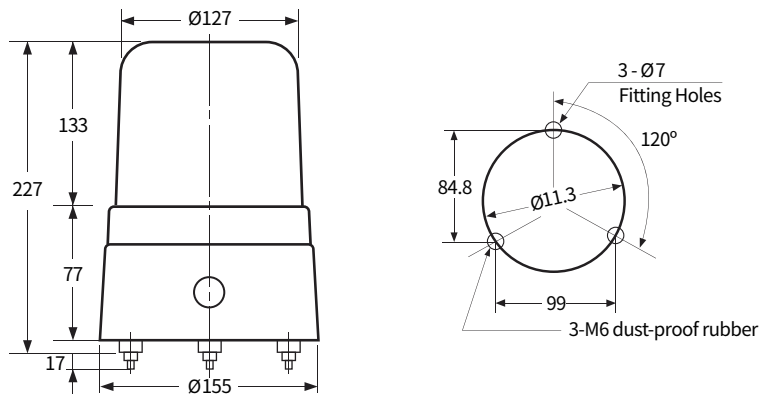




AUW-R150SH
(High Luminance)

Technical Diagram

Unit: mm



AUW-R180S

Bulb Revolving Warning Light

- ⊙ $\text{Ø}180\text{mm}$, standard Bulb Revolving Warning Light
- ⊙ Stainless (SUS304) body offers strong impact resistance and excellent corrosion resistance
- ⊙ Default reflector type is double

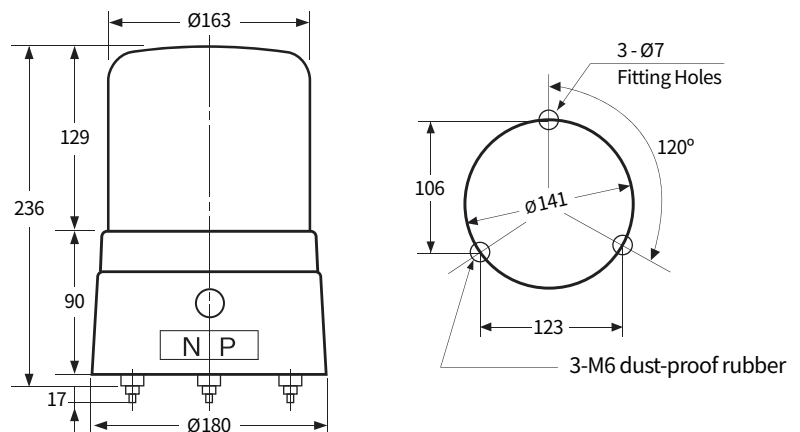
Model	Voltage	Current	Bulb	Weight	Color
AUW-R180S (Double Reflector)	AC110V	0.31(A)	12V 35W	1832g	<ul style="list-style-type: none"> ● Red(R) ● Yellow(Y) ● Green(G) ● Blue(B)
	AC220V	0.17(A)	12V 35W	1832g	
	DC12V	2.87(A)	12V 35W	1266g	
	DC24V	1.62(A)	24V 35W	1266g	



AUW-R180S

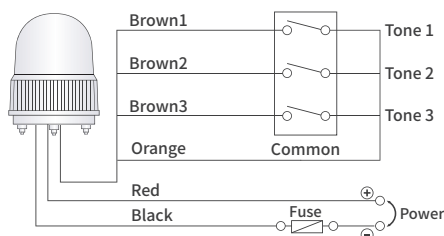
Technical Diagram

Unit: mm

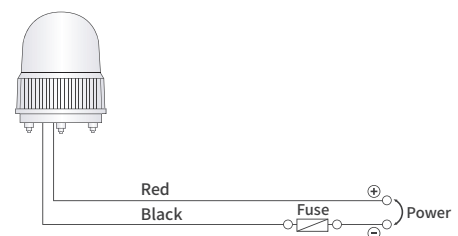


AUW-R Wiring Diagram

Built-in
3 notes



Basic





Nomenclature

AUW - L	①	②	③	④	⑤	⑥
	Type	Operation	Audible Option	High Luminance	Voltage	Color
LED Warning Light	L : Steady	60 : Ø60 80 : Ø80 100 : Ø100 125 : Ø125 125L : Ø125 long body 150S : Ø150 SUS body	No mark : None AB : Buzzer AM : Melody AS : Siren	No indication : Standard Type H : High Luminance	110 : AC110V 220 : AC220V 12 : DC12V 24 : DC24V	R : Red Y : Yellow G : Green B : Blue O : Orange
	LF : Flashing					

Common Specifications

- AUW-L60 : Steady/Flashing Warning Light, without an embedded buzzer
- **Others** : Multiple Function LED Warning Light
Operate 4 kinds of function by dip switches (※See the table below)
- Excellent radiant effect using high luminance LED elements
- Semi-permanent lifespan using electronic circuit board
- Can be adjusted between AC110V ↔ 220V
by adjusting pins on the inner board of the product
- The built-in tone is 3 notes
- Operating Temperature : -25 ~ 50°C
- Material : Globe [GPPS] / [PC] (AUW-L125, L125L models)
Body [ABS] / [SUS 304] (AUW-L150S model)

Embedded buzzer specifications		
Output	Tone	
Max. Power 5W	Buzzer AB	Beep~~~Beep Beep ~ Beep ~ Beep Wing Wing Wing
	Melody AM	Fur Elise Home Sweet Home London Bridge is Falling Down
Max. 90 dB	Siren AS	Urgent Emergency Fire

Features of each Model

Model	Features
AUW - L60	Steady / Flashing type, no embedded buzzer
AUW - L80	Steady / Flashing / Revolving / Revolving-Flashing type, built-in tone is 3 notes
AUW - L100	Magnet , Cigarette lighter plug (for DC12V only) option
AUW - L125	Magnet , Cigarette lighter plug (for DC 12V only) option High luminance available
AUW - L125L	Long body type, High luminance and Voice sound option available
AUW - L150S	SUS body , High luminance available

Manual switch to select operation



DIP switches

Operate 4 kinds of function by dip switches
steady / flashing / revolving / revolving-flashing

DIP/SW	1 2	1 2	1 2	1 2
DIP Switch	ON KSD02H 9K 1 2	ON KSD02H 9K 1 2	ON KSD02H 9K 1 2	ON KSD02H 9K 1 2
ON	■ ■	■ ■	■ ■	■ ■
OFF	■ ■	■ ■	■ ■	■ ■
Operation	 Steady	 Flashing	 Revolving	 Revolving/ Flashing



AUW-L Series

LED Warning Light



AUW-L/LF60



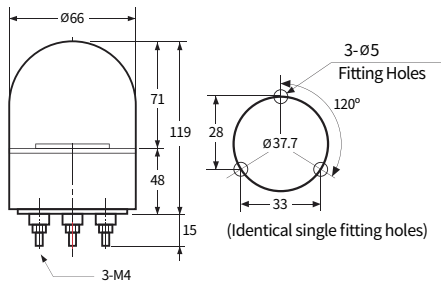
AUW-L60B / BF

LED Steady / Flashing Warning Light

- ⊙ Ø60mm, small LED Steady / Flashing Warning Light
- ⊙ Material: Globe [GPPS], Body [ABS]
- ⊙ No buzzer functions

Technical Diagram

Unit: mm



Model	Voltage	Current	LED EA	Weight	Color
AUW-L60B	AC110V	0.03(A)	16EA	157g	<ul style="list-style-type: none"> ● Red ● Yellow ● Green ● Blue
	AC220V	0.02(A)	16EA	157g	
AUW-L60BF	DC12V	0.08(A)	16EA	129g	
	DC24V	0.10(A)	16EA	129g	



AUW-L80



AUW-L100



AUW-L100M



AUW-L80

Multiple Function LED Warning Light

- ⊙ Ø80mm, small Multiple Function LED Warning Light
- ⊙ Material: Globe [GPPS], Body [ABS]

Model	Voltage	Current	LED EA	Weight	Color
AUW-L80	AC110V	0.04(A)	24EA	373g	<ul style="list-style-type: none"> ● Red(R) ● Yellow(Y) ● Green(G) ● Blue(B) ● Orange(O)
	AC220V	0.02(A)	24EA	373g	
	DC12V	0.14(A)	24EA	296g	
	DC24V	0.17(A)	24EA	296g	



AUW-L100

Multiple Function LED Warning Light

- ⊙ Ø100mm, small Multiple Function LED Warning Light
- ⊙ Magnet & Cigarette lighter plug option (for DC12V only) are available
- ⊙ Material : Globe [GPPS], Body [ABS]

Model	Voltage	Current	LED EA	Weight	Color
AUW-L100	AC110V	0.04(A)	54EA	455g	<ul style="list-style-type: none"> ● Red ● Yellow ● Green ● Blue
	AC220V	0.02(A)	54EA	455g	
	DC12V	0.14(A)	54EA	269g	
	DC24V	0.2(A)	54EA	275g	

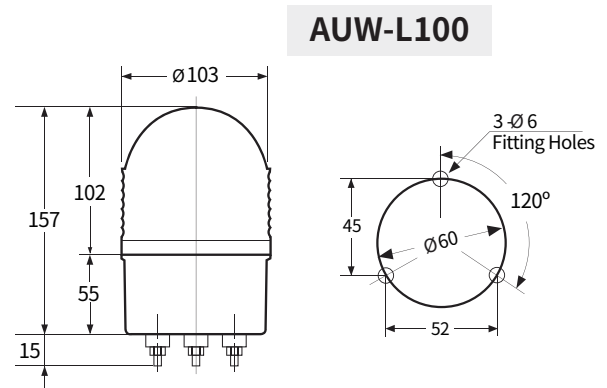
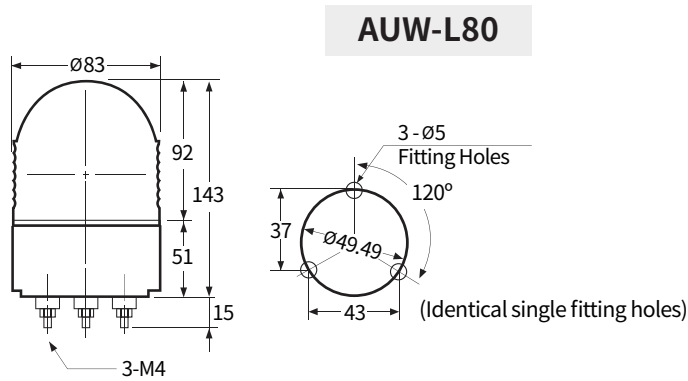


AUW-L Series

Multiple Function LED Warning Light

Technical Diagram

Unit: mm



AUW-L125



AUW-L125

Multiple Function LED Warning Light

- Ø125mm, standard Multiple Function LED Warning Light
- 2 type of LED brightness : standard and high luminance
- Magnet & Cigarette lighter plug option (for DC12V only) are available
- Material : Globe [PC], Body [ABS]
- Color : ● Red ● Orange ● Green ● Blue

* High luminance

Model	Voltage	Current		LED EA		Weight	
		High*	Standard	High*	Standard	High*	Standard
AUW-L125	AC110V	0.11(A)	0.09(A)	90ea	54ea	646g	623g
	AC220V	0.06(A)	0.04(A)	90ea	54ea	646g	623g
AUW-L125H	DC12V	0.43(A)	0.26(A)	90ea	54ea	370g	347g
	DC24V	0.51(A)	0.32(A)	90ea	54ea	370g	347g



Magnet type & Cigarette lighter plug Option (for DC12V only)

AUW-L125MC



AUW-L125L

Multiple Function LED Warning Light

- Ø125mm, long body standard Multiple Function LED Warning Light
- For the embedded buzzer, a bracket is attached at the bottom.
- 2 type of LED brightness: standard and high luminance
- Voice sound (add voice signal function) can be ordered
- Material : Globe [PC], Body [ABS]
- Color : ● Red ● Orange ● Green ● Blue

* High luminance

Model	Voltage	Current		LED EA		Weight	
		High*	Standard	High*	Standard	High*	Standard
AUW-L125	AC110V	0.11(A)	0.09(A)	90ea	54ea	1197g	1174g
	AC220V	0.06(A)	0.04(A)	90ea	54ea	1197g	1174g
AUW-L125H	DC12V	0.43(A)	0.26(A)	90ea	54ea	917g	894g
	DC24V	0.51(A)	0.32(A)	90ea	54ea	917g	894g



AUW-L125L



AUW-L150S



AUW-L150S

Multiple Function LED Warning Light

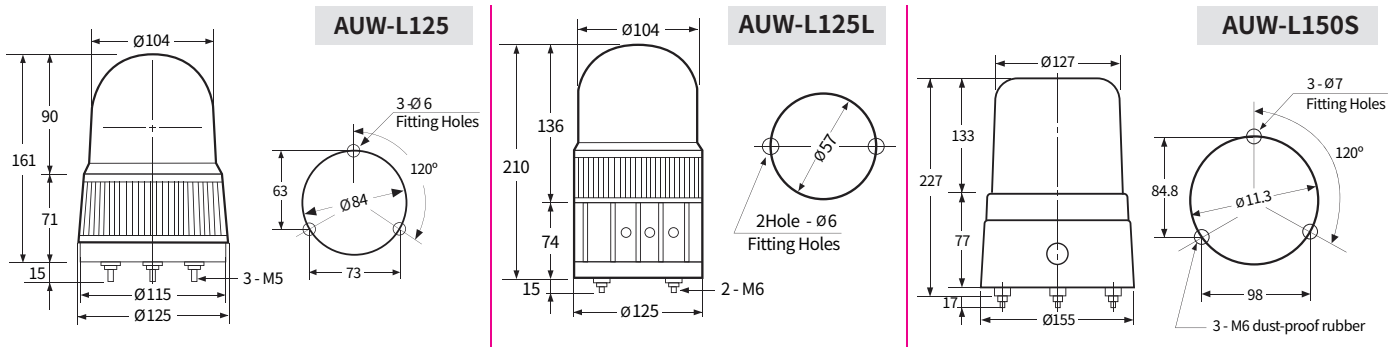
- ⊙ Ø150mm , SUS body standard Multiple Function LED Warning Light
- ⊙ The lamp is light and shock-resistant, featuring a polystyrene globe that with a special striped pattern. The body structure is steel (SUS304) for excellent shock and corrosion resistance
- ⊙ 2 types of LED brightness : standard and high luminance
- ⊙ Material: Globe [GPPS], Body [SUS304]

Model	Voltage	Current	LED EA	Weight	Color
AUW-L150S Standard	AC110V	0.09(A)	54EA	1179g	<ul style="list-style-type: none"> ● Red ● Orange ● Green ● Blue
	AC220V	0.04(A)	54EA	1179g	
	DC12V	0.26(A)	54EA	880g	
	DC24V	0.32(A)	54EA	880g	

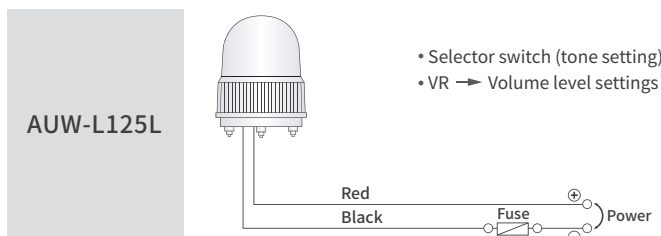
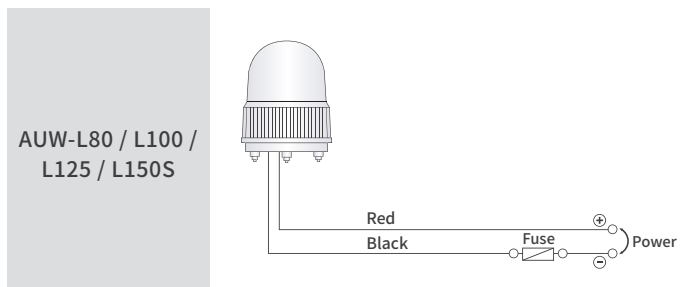
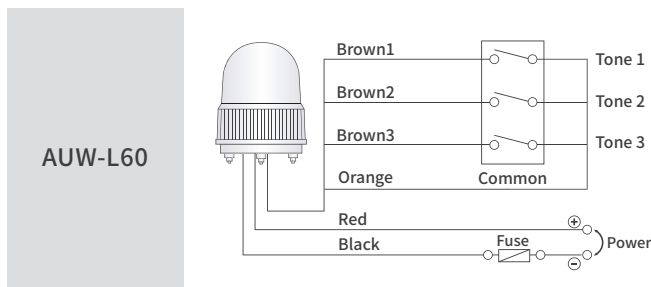
Model	Voltage	Current	LED EA	Weight	Color
AUW-L150SH High Luminance	AC110V	0.11(A)	90EA	1202g	<ul style="list-style-type: none"> ● Red ● Orange ● Green ● Blue
	AC220V	0.06(A)	90EA	1202g	
	DC12V	0.43(A)	90EA	903g	
	DC24V	0.51(A)	90EA	903g	

Technical Diagram

Unit: mm



AUW-R Wiring Diagram



MEMO



AUW - CL100



AUW - CL100



AUW - CL125



AUW-CL125L

CAUTION LED Warning Light

Common Specifications

- With the application of the Power LED, the visibility is excellent even in dark places
- Suitable for signal transmission of cleaning trucks, forklifts, roads, and subway construction
- Lighting / Blinking / Strobe 1, 2, 3, 4 functions can be selected and applied according to the site
- Due to strobe characteristics, ambient ventilation is excellent
- AB (buzzer 3 notes), AM (melody 3 notes), AS (Siren 3 notes) / Max. 80dB
- Material : Globe [PC], Body [ABS]
- Operating Temperature: -25 ~ 50°C



AUW - CL100

Caution LED Warning Light

- Ø100mm, small Caution LED Warning Light

MODEL	Voltage	Weight	Color
AUW - CL100	AC110V / 220V	260 g	<ul style="list-style-type: none"> ● Red(R) ● Yellow(Y) ● Green(G) ● Blue(B)
	DC12V / 24V	240 g	



AUW - CL80

Caution LED Warning Light

- Ø125mm , SUS body standard Caution LED Warning Light
- Magnet & Cigarette lighter plug option (for DC12V only) are available

MODEL	Voltage	Weight	Color
AUW - CL125	AC110V / 220V	328 g	<ul style="list-style-type: none"> ● Red(R) ● Yellow(Y) ● Green(G) ● Blue(B)
	DC12V / 24V	303 g	



AUW - CL100

Caution LED Warning Light

- Ø125mm, long body standard Caution LED Warning Light

MODEL	Voltage	Weight	Color
AUW - CL125L	AC110V / 220V	467 g	<ul style="list-style-type: none"> ● Red(R) ● Yellow(Y) ● Green(G) ● Blue(B)
	DC12V / 24V	442 g	